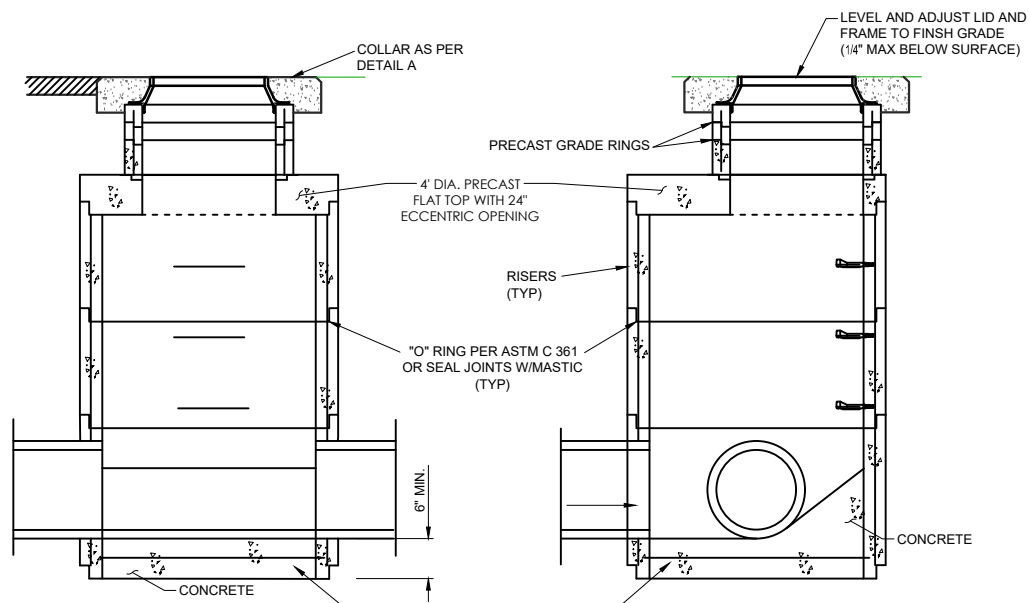


No.	Revision	Date	By

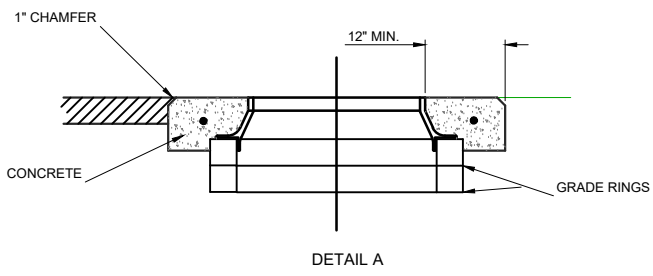
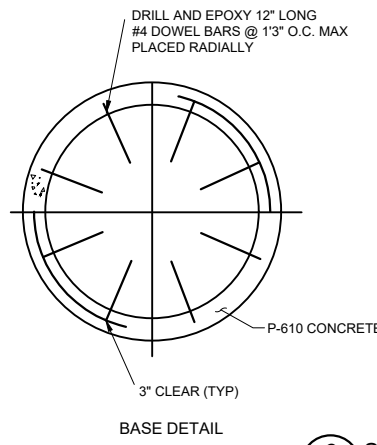
Project No: 176422  
 Date: 10/2017  
 File Name: 176422101

Drawn: BKR/LKB  
 Checked: EFR  
 Approved: CSN

DETAILS

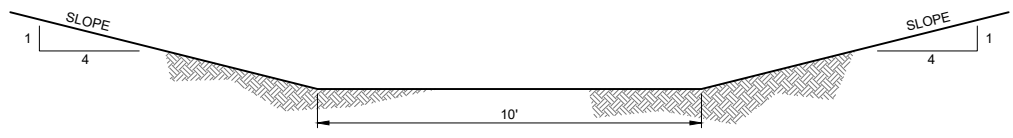


SECTION A-A  
 SECTION B-B  
 CONCRETE  
 SEE BASE DETAIL  
 CAST CONCRETE BASE AROUND CONNECTING PIPES, SEE BASE DETAIL FOR REINFORCING - USE PRECAST BASE SECTION INSTALLED PER MANUFACTURER RECOMMENDATIONS

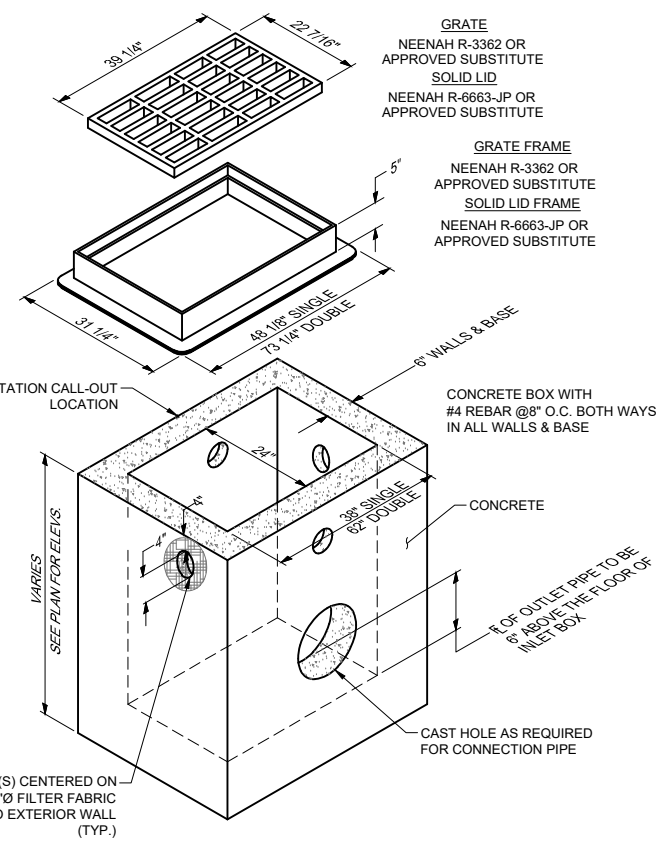


6 STORM DRAIN MANHOLE  
 4.1 NOT TO SCALE

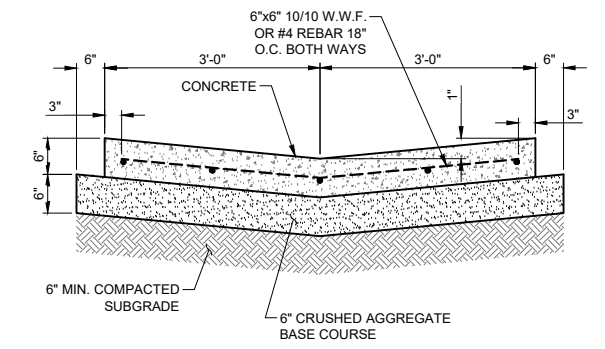
PRECAST SECTIONS	MAX. HEIGHT
GRADE RINGS	8"
COMBINED GRADE RINGS	18"
RISERS	48"



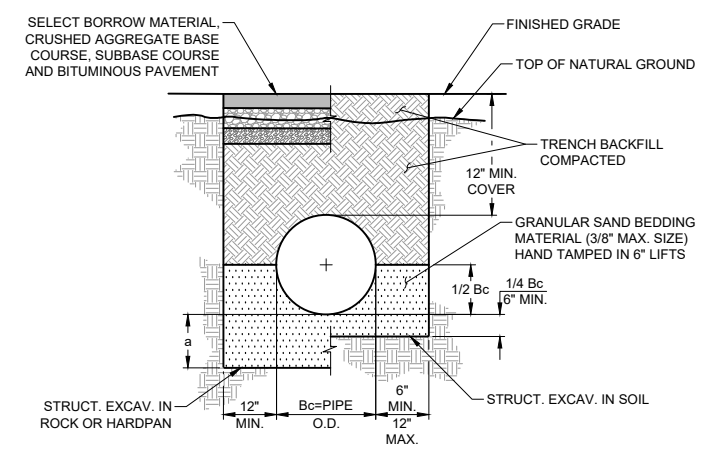
5 DRAINAGE DITCH TYPICAL SECTION  
 4.1 NOT TO SCALE



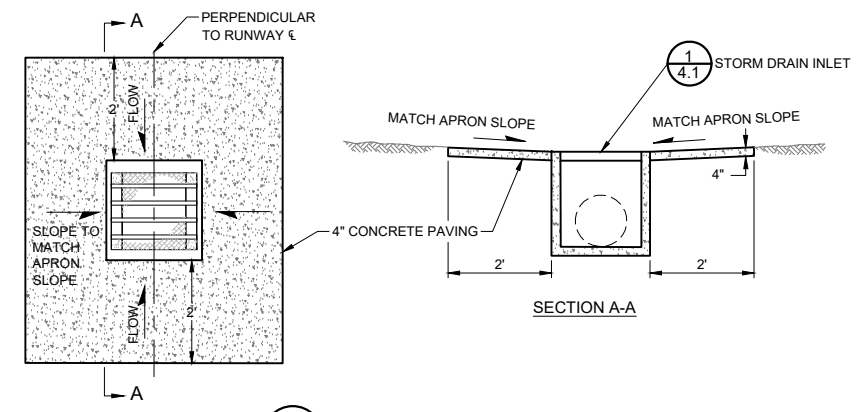
1 STORM DRAIN INLET  
 4.1 NOT TO SCALE



2 CONCRETE V-PAN GUTTER  
 4.1 NOT TO SCALE



3 PIPE CULVERT BEDDING & BACKFILL DETAIL  
 4.1 NOT TO SCALE



4 INLET APRON PAVING  
 4.1 NOT TO SCALE